

M&P VISUAL METHOD/RISK/QUALITY SWANSEA UNIVERSITY

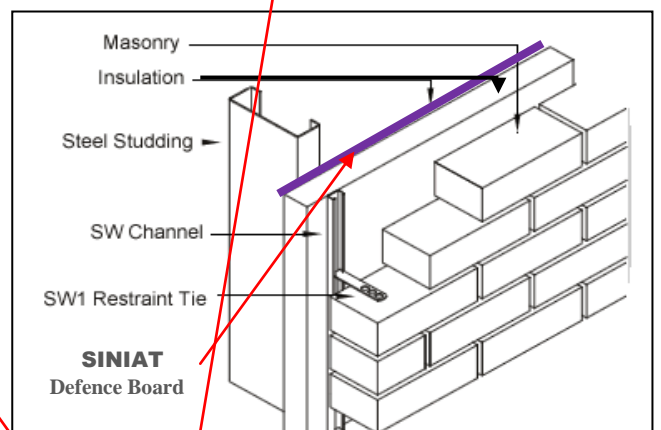
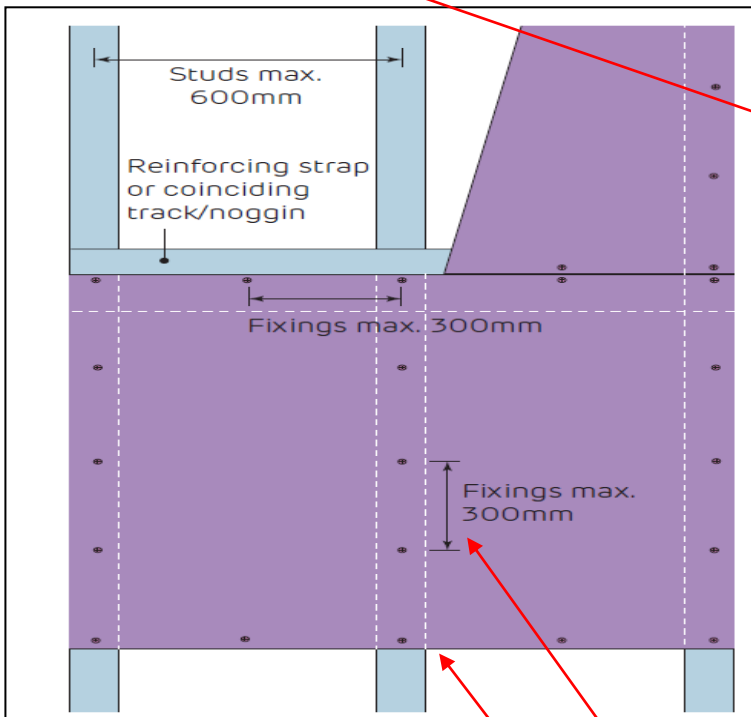
WEATHER DEFENCE BOARD & BRICK TIE CHANNELS

ALWAYS

Respect the effects of the weather and the need to securely fix every element of works.
 Understand and Follow the installation specification, if unsure ask.
 Keep work areas clean and tidy.
 Work safely and respect others.
 Fix Brick tie Channels at a maximum of 450mm centres unless otherwise specified.

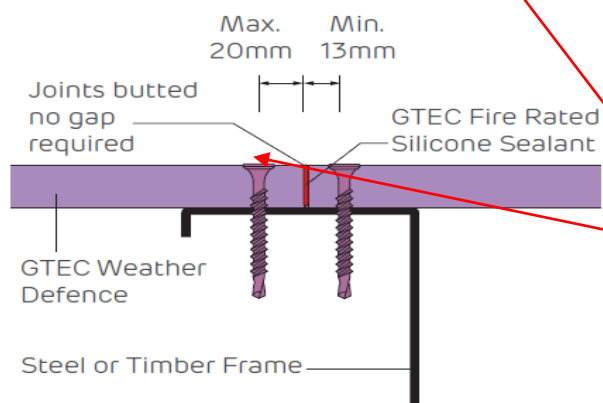
NEVER

Leave a mess.
 Expect others to clean up for you.
 Leave danger for a work colleague or following trades.
 Ignore Health & Safety procedures and remember appropriate behaviour is an M&P standard and not an optional extra.
 Underestimate the dangers of the wind.



Edge distance limits

Check minimum flange width of framing member



Please note: Board fixings can be a maximum of 300mm centres. (Always check the specification.)
 Where boards abut - 15mm in off the edge is the advised best practice.
 Do not over tighten when fixing Brick Tie Channels! Keep your starting board 5 – 10mm off DPC. Best practice stagger board joints.....!

THINK SAFE – DANGER NEVER SLEEPS...!!